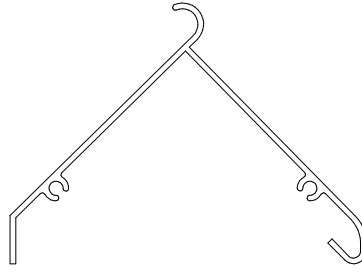
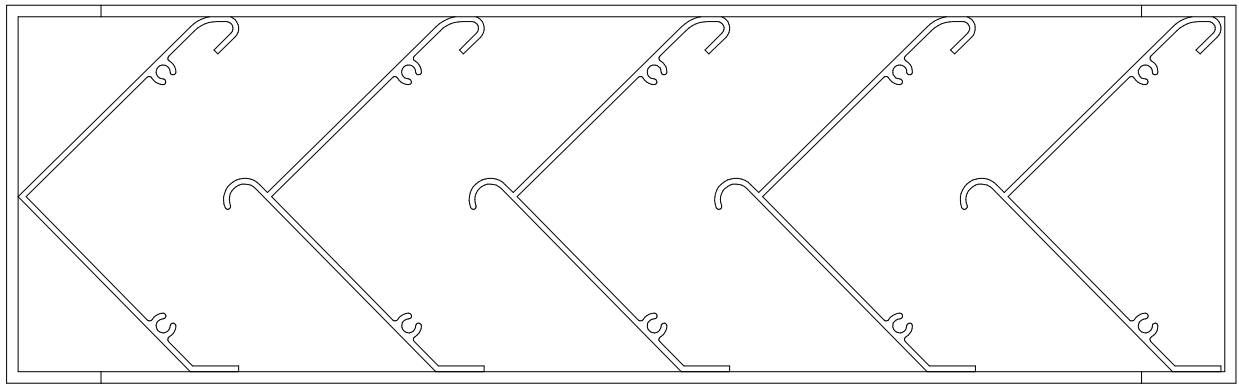




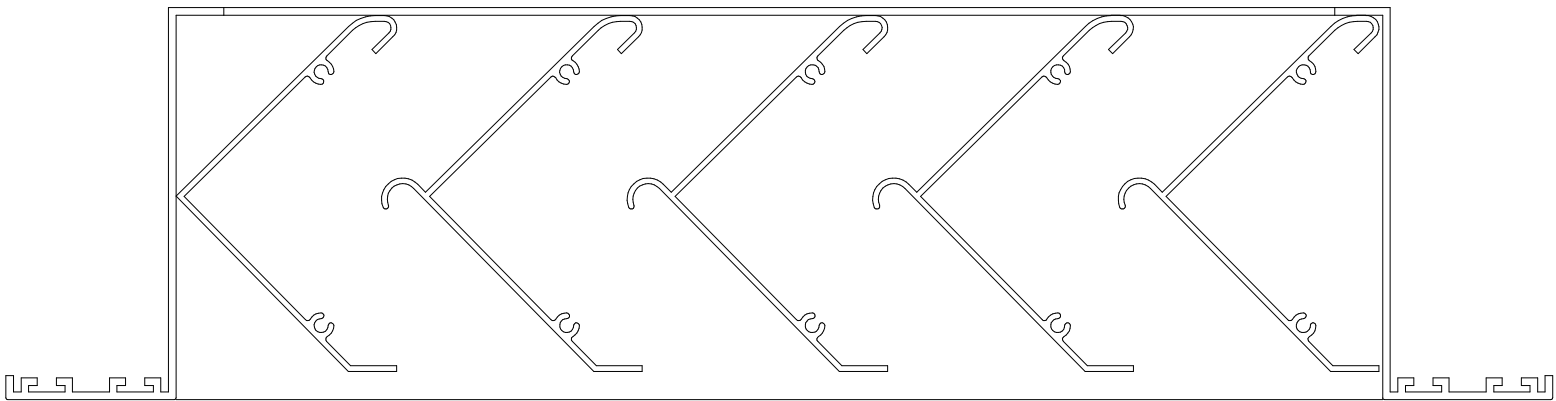
31723



9517



Channel Frame



Flanged Frame

Osborne-Hume Model WPL 100 Vertical

Weather-resistant vertical louvre

Scale 1:2